

INSTRUCTIONS FOR OPERATION AND CARE OF **GLACIERFREEZE**



GF-12



P.O. Box 3527 • City of Industry, CA, 91744-0527, U.S.A.

800-782-7706 • 626-968-6681 • www.whitehallmfg.com

Member of  MORRIS GROUP
INTERNATIONAL



WARNING



**PLEASE READ THIS ENTIRE
BOOKLET BEFORE OPERATING
YOUR GLACIER FREEZE.**



**Failure to follow these instructions could result in damage
to your Glacier Freeze and/or bodily injury**

- **CONNECT** the appliance to a G.F.C.I. (Ground Fault Circuit Interrupter) electrical receptacle for protection against electrical shock. The Glacier Freeze must be properly grounded. Failure to do so may result in increase risk of electric shock.
- **DO NOT** use in the presence of flammable liquids or gases, as these may present a fire/explosion hazard.
- **DO NOT** use an extension cord.
- **DO NOT** use a knife or other metal object to remove frost and/or ice. Doing so may severely damage the refrigeration system.



TABLE OF CONTENTS

Model Description 2

Start Up Procedures 3

Temperature Adjustment 3

Defrost Your GlacierFreeze 3

Cleaning & Maintenance 3

Troubleshooting 4

Wiring Diagram 4

Parts Diagram 5



GlacierFreeze

GlacierFreeze provides a convenient and reliable storage for a Glacier Packs. It's designed to keep them properly stored and ready to use. Each unit comes with stainless steel shelves for standard Glacier Packs and a molded compartment for Ice Cups (Ice Cups not included). Oversized packs are easily stored on the bottom shelf.

MODEL GF-12





START UP PROCEDURES

To use your GlacierFreeze with the most efficiency and safety, select a suitable place for installation keeping in mind the following points:

- The GlacierFreeze should be installed on a strong, level floor. If floor is not quite level, adjust feet as necessary.
- The GlacierFreeze was designed for free standing installation only and should not be recessed or built-in.
- Allow four inches or air space behind the freeze.
- Keep away from direct sunlight, oven or other heat source.
- The GlacierFreeze is equipped with a three-prong plug and is grounded to eliminate electrical hazards. **WARNING! FREEZER SHOULD BE PLUGGED INTO A GROUNDED 120V, 60Hz ELECTRICAL OUTLET.** (NOTE: For other voltages contact Whitehall for voltage adapters.)

TEMPERATURE ADJUSTMENT

The GlacierFreeze temperature can be adjusted by the Cold Control Knob. Freezer temperature will become lower as the Control Knob is set closer to the "MAX" position.

The GlacierFreeze temperature will vary depending on the quantity of cold packs stored and the frequency of the door being opened.

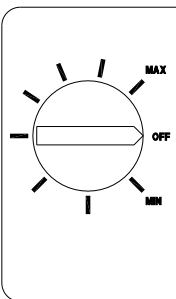
A thermometer is supplied to indicate temperature of freezer.

DEFROST YOUR GLACIERFREEZE

Remove cold packs from your GlacierFreeze. Keep drip tray in place. Set Cold Control Knob to "OFF" position.

Defrosting may take several hours. To defrost faster:

- Leave door open.
- Remove vertical Rack Spacers and place pans of hot water on frost shelves.
- Wipe with warm towel or sponge.



WARNING! NEVER USE A KNIFE OR OTHER METAL OBJECT TO REMOVE FROST AND/OR ICE. DOING SO MAY SEVERELY DAMAGE THE REFRIGERATION SYSTEM.

When defrosting is complete, remove drip tray and dispose of water. Set Cold Control Knob back to original position.

CLEANING & MAINTENANCE

Turn off your GlacierFreeze. Remove cold pack, vertical rack spacers, cup holder and drip tray. Wash interior liner with a solution of warm water and two teaspoons baking soda per quart of water. Rinse and wipe clean. Do not use soaps, detergents, scouring powder or spray cleaners for the liner. They may create odors in the freezer.

Wash the drip tray, rack spacers and cup holders in a mild detergent. Rinse and dry with a soft cloth. Use only mild soapy water to clean door gaskets.

Never use acids, chemical thinner, gasoline, or the like for cleaning any part of the freezer. Boiling water and benzine may deform and damage plastic parts.

Use a vacuum cleaner to clean the condenser (tube and wire attachment) on the back of the freezer.

Wash the exterior cabinet with a detergent or soap solution. Rinse well. Do not use scouring powder or pads. To protect the cabinet finish, use a good quality automotive wax. Be careful not to wax plastic parts.



TROUBLESHOOTING

What should I do if my GlacierFreeze is too warm?

- Adjust Cold Control. See page 3.
- Make sure door is closed properly.
- Condenser coils on back may need cleaning. See page x.

What should I do if moisture collects on the outside?

- Frequent door openings in high humid conditions will cause this. Reduce door openings and reduce time door is open.
- Make sure door seal is tight.

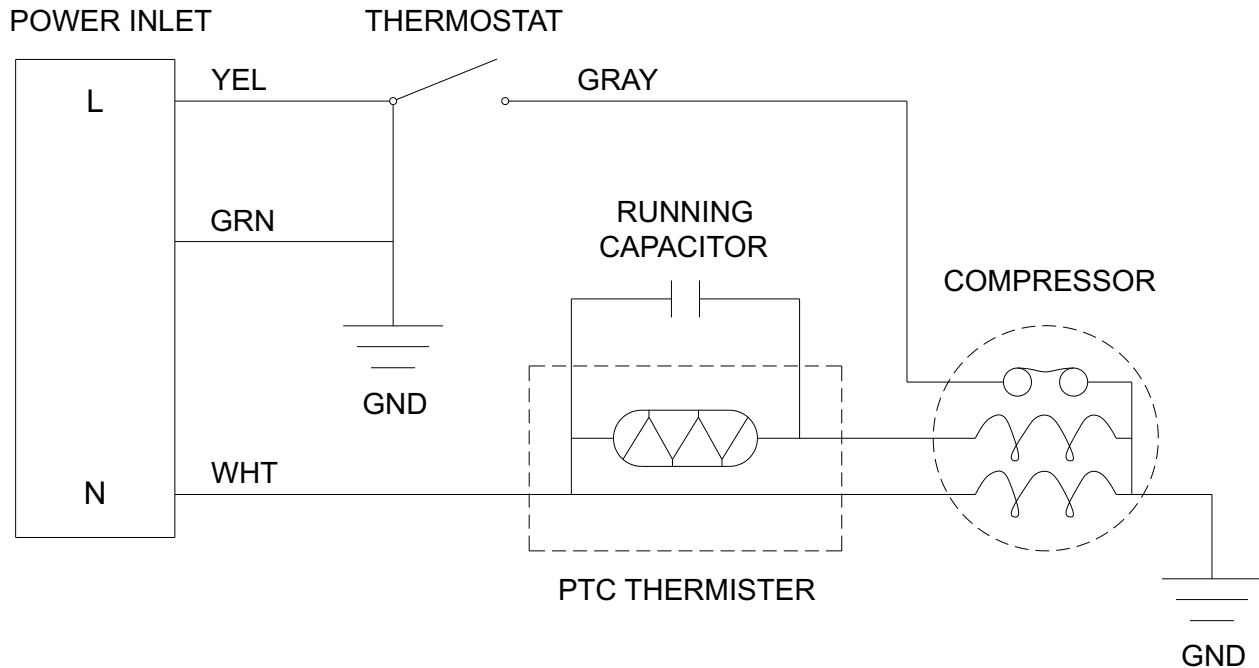
What should I do if my GlacierFreeze is too noisy?

- Make sure cabinet is level, not touching a wall or other surface, and rests squarely on the floor on all four corners.
- Make sure condenser coils are free of lint and dust.
- Normal noises include refrigerant gurgling as it passes through tubes and the compressor clinking on and off.

What should I do if there is an odor coming from my GlacierFreeze?

- Clean interior. See page 3.

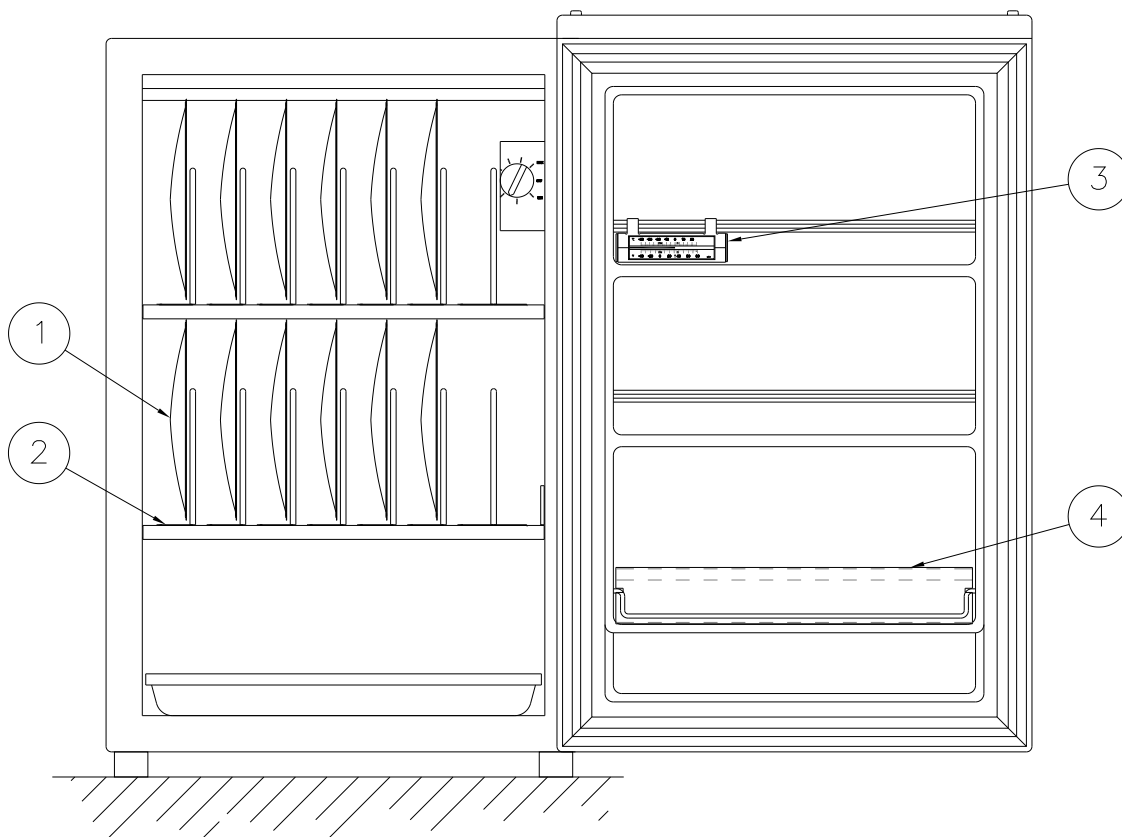
WIRING DIAGRAM





PARTS LIST FOR GLACIERFREEZE

| ITEM # | PART # | DESCRIPTION |
|--------|--------------|------------------------------------|
| 1 | 6702-450-000 | Standard Size Glacier Pack |
| 2 | 6702-484-001 | Vertical Rack Spacer |
| 3 | 6702-486-000 | Thermometer |
| 4 | 6702-487-199 | Cup Holder (Ice Cups not included) |





GLACIERFREEZE REPAIR PARTS

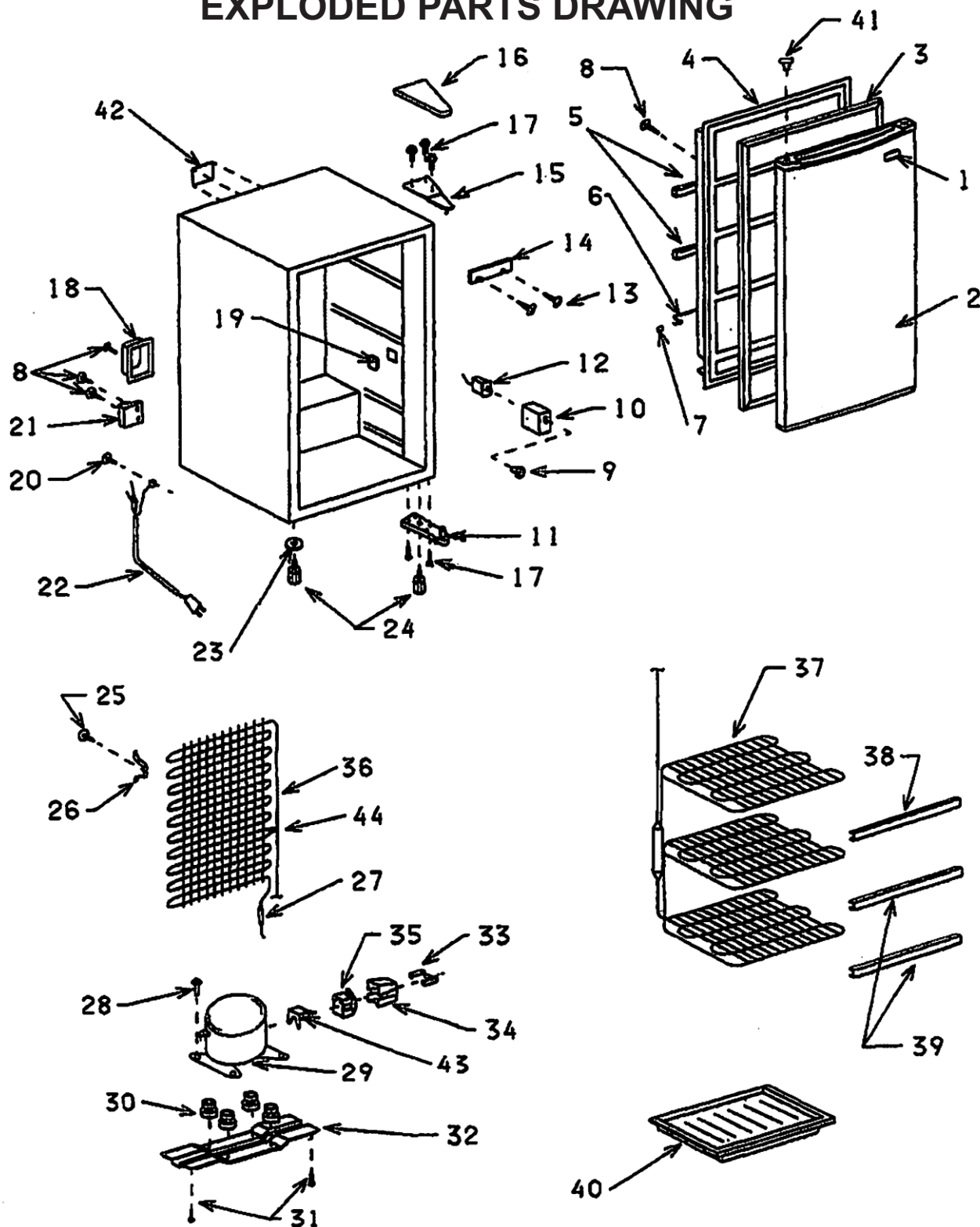
| | | | | | |
|----|----------------|-------------------------|----|----------------|-------------------------|
| 1 | 8332331052700 | Mascot | 23 | SWZ502001R6UL | Leg Spacer |
| 2 | 8330310551900 | Foamed Door Assy | 24 | 8332111001210 | Leg |
| 3 | 8330331652700 | Door Gasket | 25 | 2FB2236200200 | Screw #159 |
| 4 | 8332320160702 | Door Liner | 26 | 8312433184801 | Plate Support Condenser |
| 5 | 8332320351000 | Trim Shelf Door | 27 | 8330420250500 | Double Drier, 8 Grams |
| 6 | 8312320384100A | Panel Guard Lower | 28 | 8312430970001 | Bolt #050 |
| 7 | 8312322180100 | Door Shelf Bushing | 29 | 8338030451000 | Compressor |
| 8 | S1440100001000 | Screw #023 | 30 | 8312430683101 | Grommet Compressor Mtg |
| 9 | 8312612083272 | Thermo Knob | 31 | SFSHY5012SE | Bolt #119 |
| 10 | 8332230850400 | Thermo Panel | 32 | 8312120188700 | Plate Cabinet Base |
| 11 | 8312132021231 | Bottom Hinge | 33 | 8332532650400 | Clip Relay Cover |
| 12 | 4233C29700 | Thermostat ATB-3U1008 | 34 | 8332533250700 | Relay Cover |
| 13 | S1440160200700 | Screw #035 | 35 | 8334204C50700 | PTC Relay |
| 14 | 8312432581370 | Therm Bulb Clamp | 36 | 8340410270700 | Condenser |
| 15 | 8312132019800 | Hinge Top | 37 | 8340410172270B | Evaporator Assy |
| 16 | 8312133012500 | Hinge Top Cover, White | 38 | 8332411750303 | Trim Shelf Evap. Upper |
| 17 | S31050160001GT | Bolt #027 | 39 | 8332411750203 | Trim Shelf Evap. Lower |
| 18 | 8312530814670 | Case Wire Splicer | 40 | 8332220250800 | Drip Tray |
| 19 | 8342322170000 | Trim Evaporator Bushing | 41 | 8332332870400 | Cap Grommet, White |
| 20 | S0440080001T00 | Screw #026 | 42 | 8336421950320 | Wiring Diagram |
| 21 | 8312537784100 | Cord Clamp | 43 | 4BC4S20002100 | Overload Relay |
| 22 | 4243C24500 | Power Cord | 44 | 8312432112000 | Support, Tube Condenser |

Parts Not Illustrated

| | |
|---------------|---------------------------|
| 8332132550400 | Nylon Washer, Natural |
| 8332340250700 | Insulation Door |
| 8342233111170 | Thermo Bracket |
| 8312233126870 | Plate Mounting Thermo Fix |



EXPLODED PARTS DRAWING





Mailing Address:

P.O. Box 3527 • City of Industry, CA 91744-0527 U.S.A

Physical Address:

15125 Proctor Avenue • City of Industry, CA 91746 U.S.A

Phone 800-782-7706 • 626-968-6681

Fax 626-855-4862

Web: www.whitehallmfg.com

E-mail: info@whitehallmfg.com

Any questions regarding servicing of products in Europe or the Middle East should be directed to:
Niva Medical Company • Olarinluoma 14 B, FIN-02200 Espoo, Finland
Phone 358 9 615 00 540 • Fax 358 9 615 00 545
Web www.nivamedical.fi • E-mail info@nivamedical.fi

MANUFACTURER'S WARRANTY

Whitehall Manufacturing Company warrants that its products are free from defects in material or workmanship under normal use and service for a period of one year from date of shipment. Whitehall's liability under this warranty shall be discharged solely by replacement or repair of defective material, provided Whitehall is notified in writing within one year from date of shipment, F.O.B. Industry, California.

This warranty does not cover installation or labor charges, and does not apply to materials which have been damaged by other causes such as mishandling or improper care or abnormal use. The repair or replacement of the defective materials shall constitute the sole remedy of the Buyer and the sole remedy of Whitehall under this warranty. Whitehall shall not be liable under any circumstances for incidental, consequential or direct charges caused by defects in the materials, or any delay in the repair or replacement thereof. This warranty is in lieu of all other warranties expressed or implied. Product maintenance instructions are issued with each fixture, and disregard or non-compliance with these instructions will constitute an abnormal use condition and void the warranty. If you have any questions or require technical assistance, please call 800-743-8219.

NOTICE TO KEEP ORIGINAL PACKAGING- Regarding warranty claims: customer must retain original packaging for one year upon receipt of product. If packaging is discarded, it is the customer's responsibility to provide adequate packaging. Any shipping claims that are a direct result of customer-provided packaging materials will be handled by the shipper.